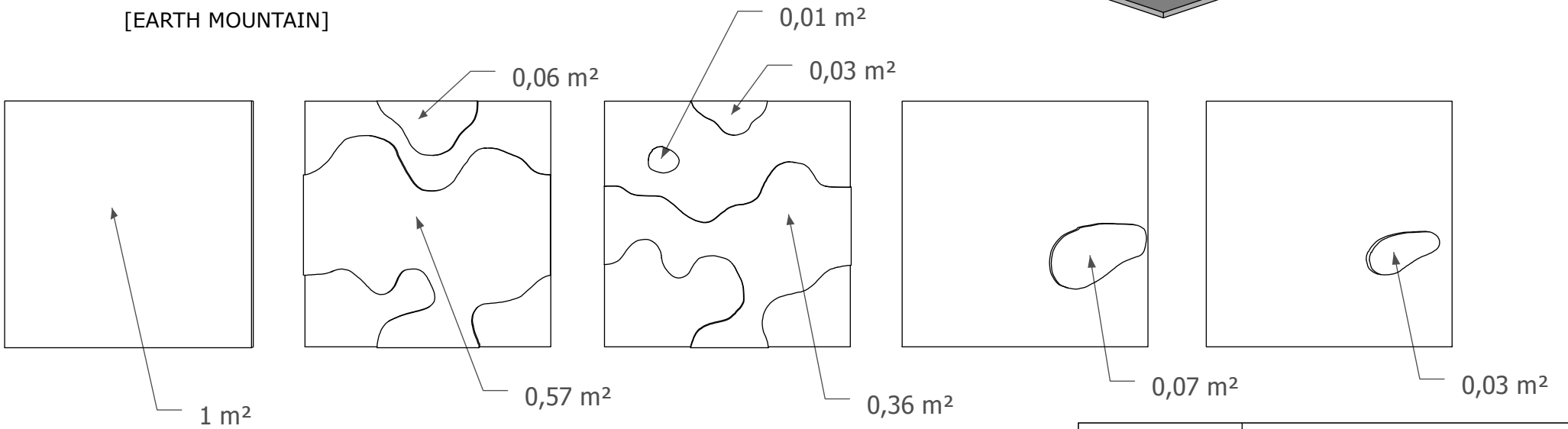
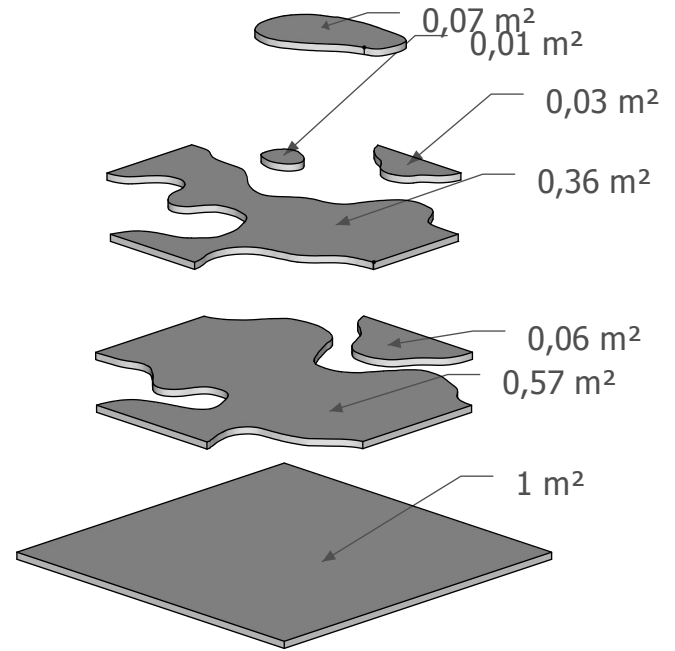
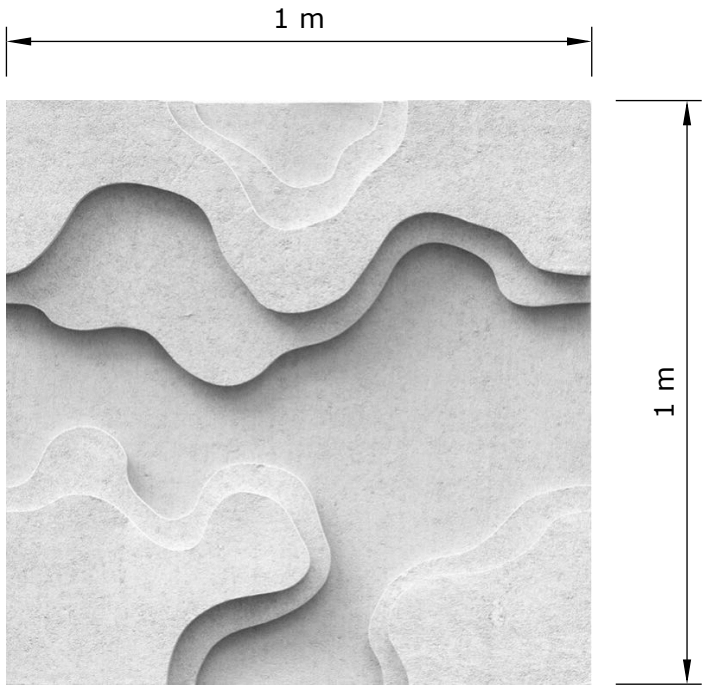


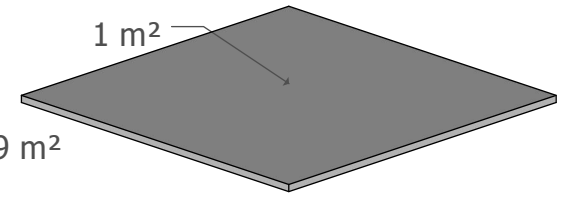
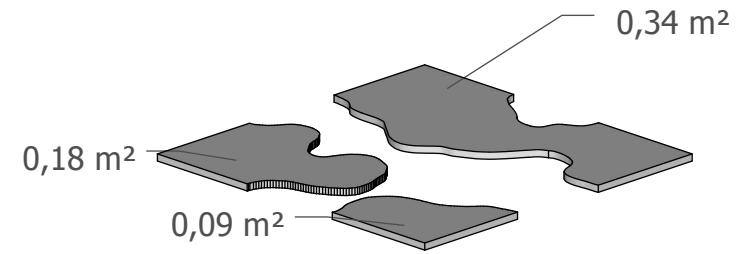
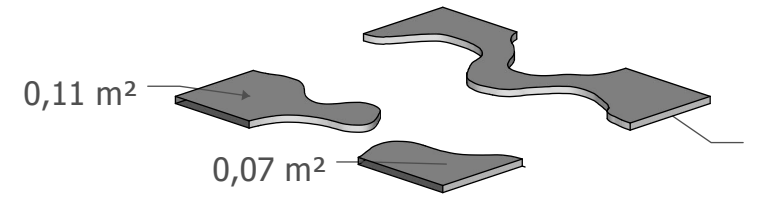
[EARTH MOUNTAIN]



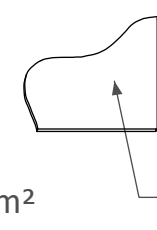
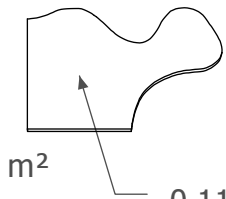
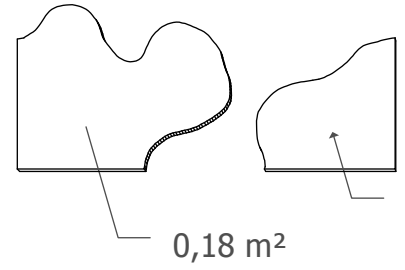
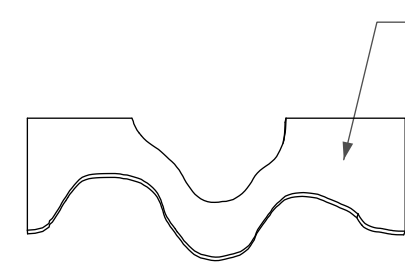
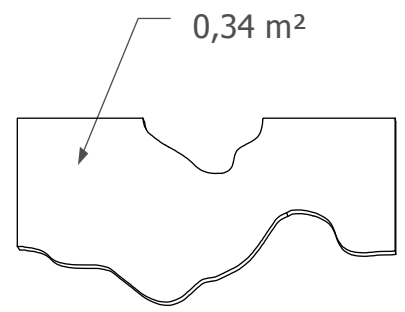
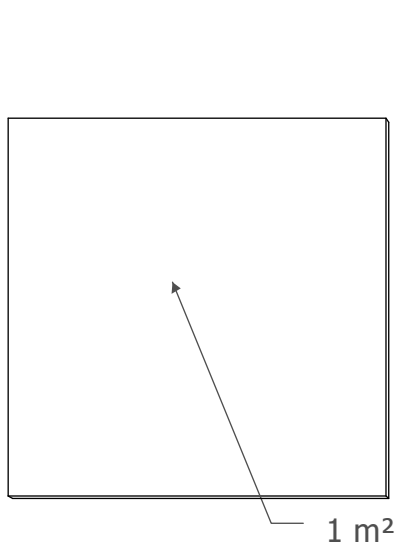
NAME	EARTH MOUNTAIN
DESIGN BY	OKKO DESIGN
MATERIAL	PEAT FIBER, 20MM THICKNESS
UNIT	SQUARE METER
TOTAL OF AREA	2,13 m <sup>2</sup>



[EARTH VALLEY]



[ISO]



NAME	EARTH VALLEY
DESIGN BY	OKKO DESIGN
MATERIAL	PEAT FIBER, 20MM THICKNESS
UNIT	SQUARE METER
TOTAL OF AREA	1,98 m2